
ES-FB1W-XW1E-LV412Q4MFR-YO-1C2514 (ORDER NO. 162943)

Emergency stop ES-FB..-XW devices with housing, M12, 5-pin.

- ▶ Button head red 40 mm ø
- ▶ Contact block monitoring
- ▶ Connection via plug connector M12, 5-pin, AIDA compliant
- ▶ Reset by pulling or turning
- ▶ Housing
- ▶ With lighting

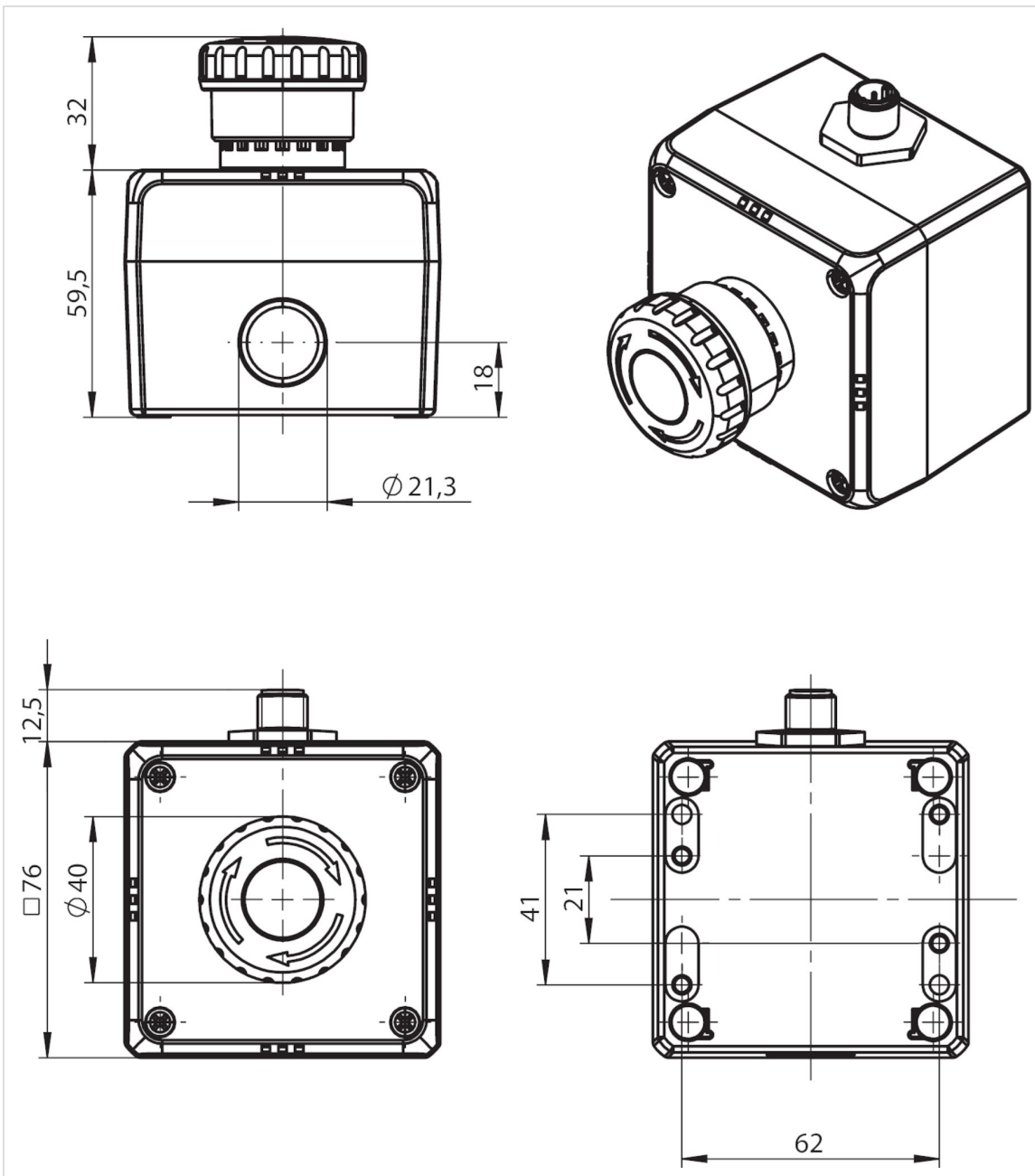


Description

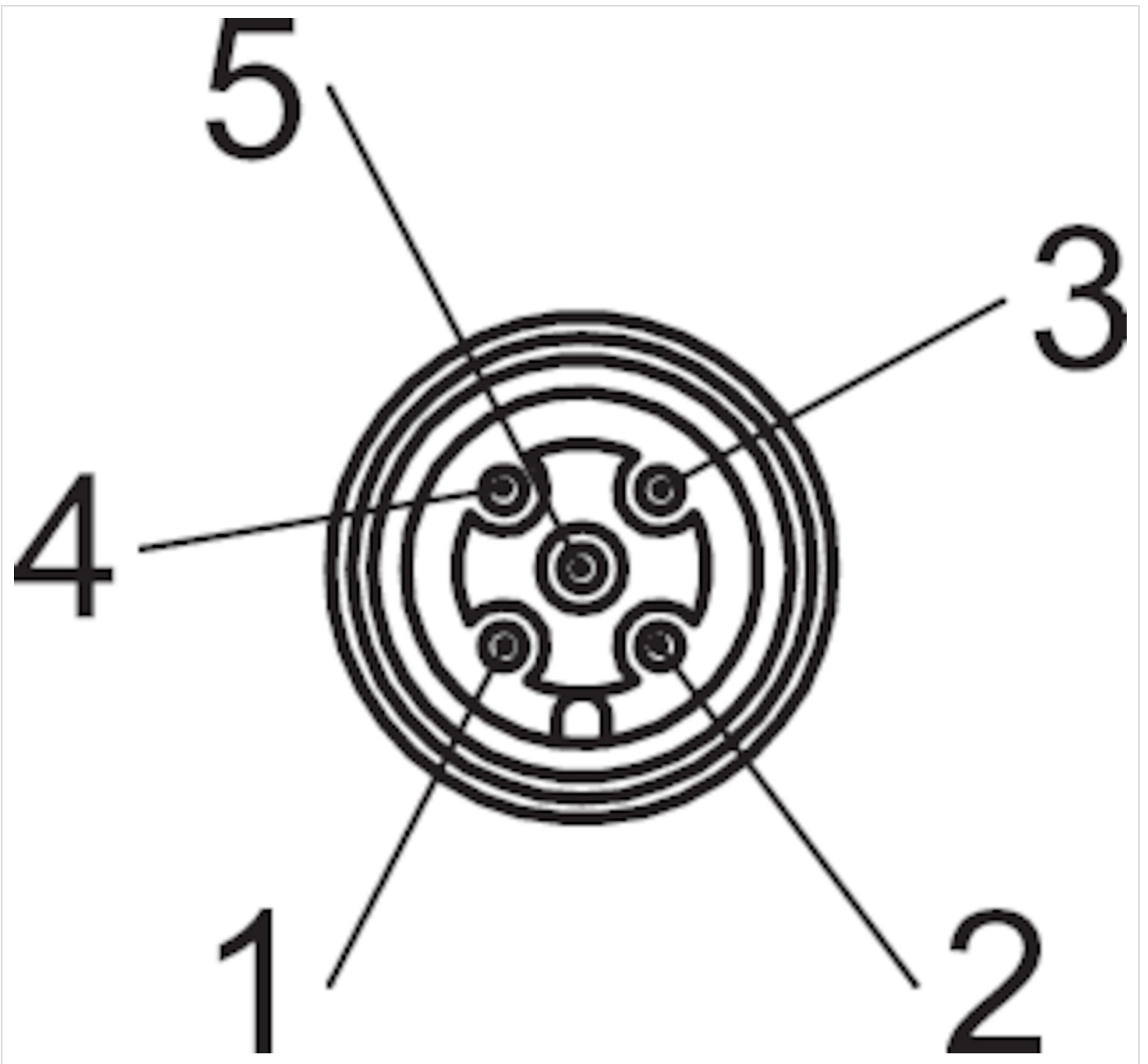
Switching element

- ▶ 2 NC \ominus + 1 NO

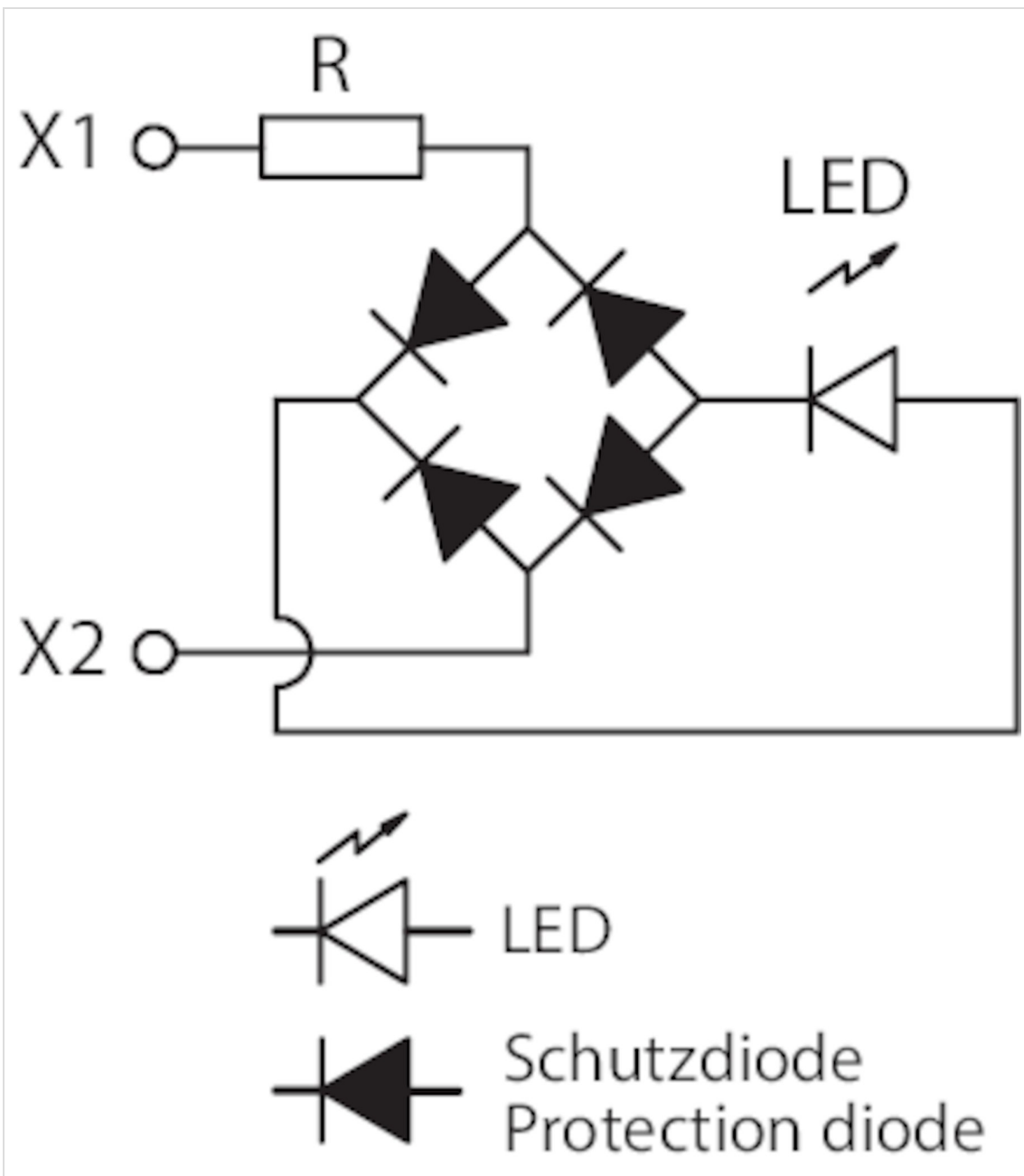
Dimension drawing



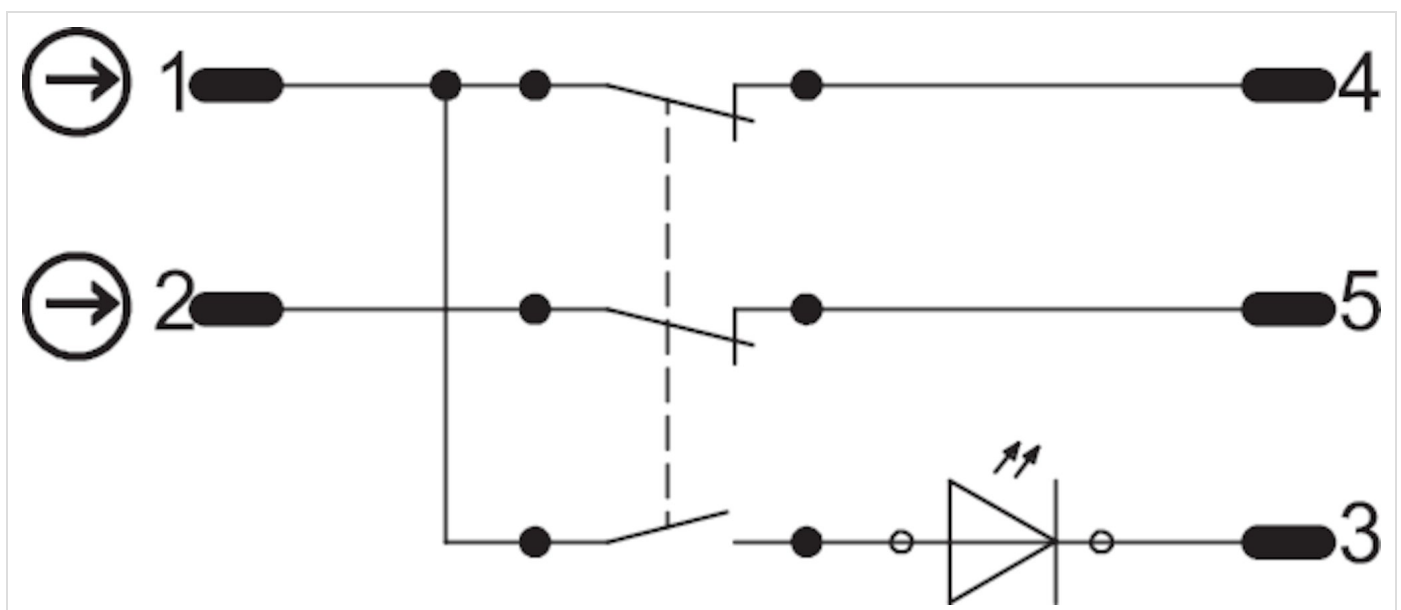
Dimension drawing



Wiring diagram



Switching functions



Technical data

Mechanical values and environment

Material	
	Button Fiber glass reinforced thermoplastic
	Housing Polycarbonate
Ambient temperature	-25 ... 55 °C
Degree of protection	IP65
Mechanical life	0,25 x 10 ⁶
Contact material	Silver alloy, gold flashed
Number of positively driven contacts	2
Number of NO contacts	1
Connection	Plug connector M12 (5-pin (without PE))

Electrical connection ratings

Operating current	15 mA
Operating voltage	
	AC/DC 24 V -10% ... +10% V
Thermal rated current I _{th}	1 A
Utilization category acc. to EN 60947-5-1	
	AC-15 1.5 A 50 V
	DC-13 1 A 30 V
	AC-14 0.3 A 50 V
Rated insulation voltage U _i	50 V
Switching current	
	Min. at 24V 10 mA

Other

Additional feature	
	Button head Ø 40 mm
	Reset by pulling or turning
	Contact block monitoring
	Device with housing
Color	
	Actuating button Red transparent
	Bottom part Yellow
Lighting	Yes

Reliability values according to EN ISO 13849-1

B10 _D	0,1 x 10 ⁶
------------------	-----------------------

Accessories

Mounting accessories

Emergency stop plate – blank – for 40 mm buttons on ES-XW devices.



157255
ES-HWAV-0

- ▶ Emergency stop plate – blank – for 40 mm buttons on ES-XW devices.

Sign for emergency stop ES-XW



106340
ES-HWAV-27

- ▶ Emergency stop label for 40 mm buttons on ES-XW devices with text “Emergency Stop”

Contacts

🏠 EUCHNER GmbH + Co. KG
Kohlhammerstraße 16
70771 Leinfelden-Echterdingen

☎ +49 711 7597-0

📠 +49 711 753316

✉ info(at)euchner.de